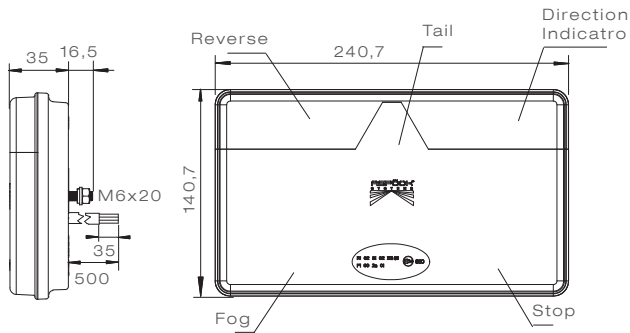


# Produktinformation Product information

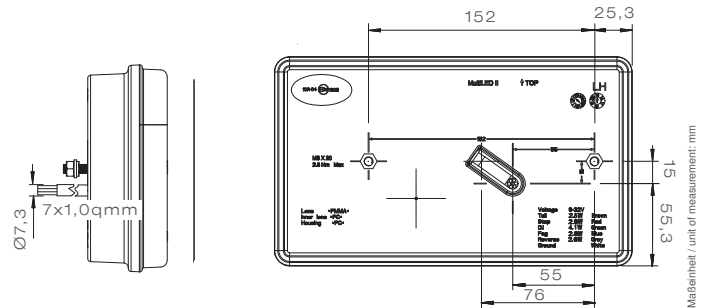
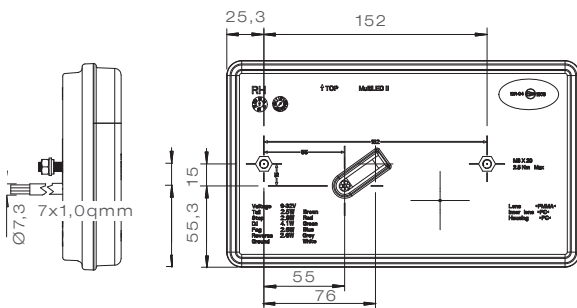
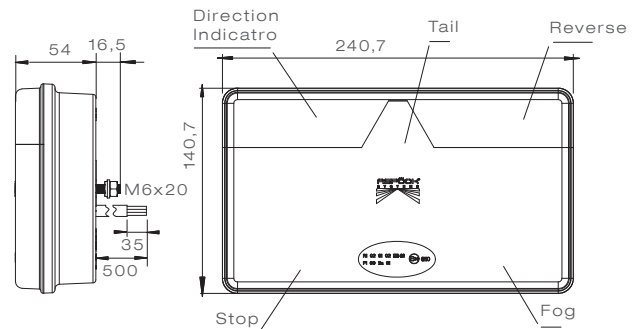
## MULTILED II KOMPAKT 5-FUNKTIONSLAMPA COMPACT 5 FUNCTION LAMP



### MULTILED II PLATT HÖGER



### MULTILED II HÖG VÄNSTER



Maßeinheit / unit of measurement: mm

# MULTILED II

**PRODUKTFÖRDELAR**

- ny generation av MultiLED 5-funktionslampa med integrerad reflextriangel
- alla funktioner i LED
- Kabel med öppen ände = kompatibel med alla Aspöcks kontakter
- identisk hålbild som Aspöcks Multipoint serie
- finns i två olika storlekar:
  - platt (35 mm djup)
  - hög (54 mm djup)
- kan fås med NP-belysning:
  - vänster
  - höger
  - under

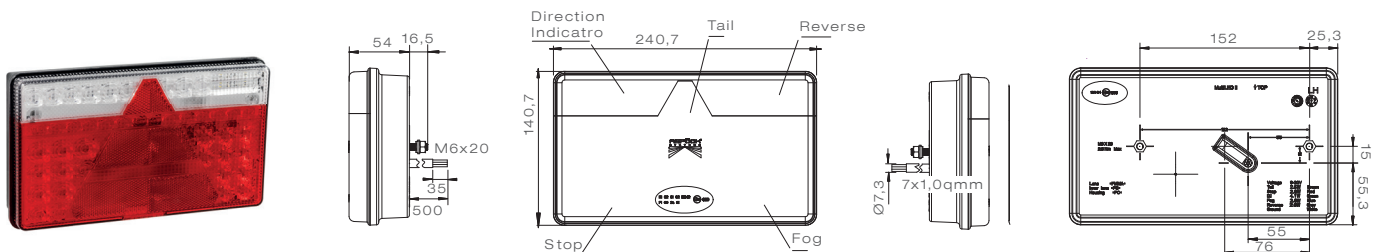
**PRODUCT BENEFITS**

- new generation of MultiLED 5 function lamp with integrated triangle reflector
- all functions in LED
- available with open ended cable as well as compatibility with all Aspöck connectors
- identical hole pattern like Aspöck Multipoint range
- available in two different sizes:
  - flat (35 mm deep)
  - high (54 mm deep)
- optional with number plate light:
  - left hand
  - right hand
  - bottom

**TEKNISK DATA  
TECHNICAL FACTS**

<b>SPÄNNINGSOMRÅDE: VOLTAGE RANGE:</b>		9-32 V
<b>ANSLUTNINGAR: CONNECTOR:</b>		0,5 m kabel med öppen ände 0,5 m open ended cable
<b>MATERIAL:</b>	<b>HUS: HOUSING:</b>	ABS
	<b>LYKTGLAS: LENS</b>	PMMA
<b>TEMPERATURTÅLIGHET: TEMPERATURE RANGE:</b>		- 40°C~ +60°C
<b>EMV-GODKÄND: EMC APPROVAL:</b>		JA YES

**MULTILED II HÖG VÄNSTER**



## MULTILED II

BESKRIVNING / DESCRIPTION	OEM	AM
<b>MultiLED II flach ohne Kennzeichenbeleuchtung</b> <b>MultiLED II flat without number plate light</b>		
MultiLED II links 0,5 m Kabel mit offenem Ende MultiLED II left 0.5 m with open ended cable	35-0201-007	35-0201-001
MultiLED II rechts 0,5 m Kabel mit offenem Ende MultiLED II right 0.5 m with open ended cable	35-0202-007	35-0202-001
MultiLED II links 5 pol. Bajonett fliegend MultiLED II left 5 pin with bayonet on flying lead	35-0201-017	35-0201-011
MultiLED II rechts 5 pol. Bajonett fliegend MultiLED II right 5 pin with bayonet on flying lead	35-0202-017	35-0202-011
MultiLED II links 8 pol. Bajonett fliegend MultiLED II left 8 pin with bayonet on flying lead	35-0201-027	35-0201-0271
MultiLED II rechts 8 pol. Bajonett fliegend MultiLED II right 8 pin with bayonet on flying lead	35-0202-027	35-0202-021
MultiLED II links 7 pol. ASS2 fliegend MultiLED II left 7 pin ASS2 on flying lead	35-0201-037	35-0201-031
MultiLED II rechts 7 pol. ASS2 fliegend MultiLED II right 7 pin ASS2 on flying lead	35-0202-037	35-0202-031
<b>MultiLED II hoch ohne Kennzeichenbeleuchtung</b> <b>MultiLED II high without number plate light</b>		
MultiLED II links 0,5 m Kabel mit offenem Ende MultiLED II left 0.5 m with open ended cable	35-0203-007	35-0203-001
MultiLED II rechts 0,5 m Kabel mit offenem Ende MultiLED II right 0.5 m with open ended cable	35-0204-007	35-0204-001
MultiLED II links 5 pol. Bajonett fliegend MultiLED II left 5 pin with bayonet on flying lead	35-0203-017	35-0203-011
MultiLED II rechts 5 pol. Bajonett fliegend MultiLED II right 5 pin with bayonet on flying lead	35-0204-017	35-0204-011
MultiLED II links 8 pol. Bajonett fliegend MultiLED II left 8 pin with bayonet on flying lead	35-0203-027	35-0203-021
MultiLED II rechts 8 pol. Bajonett fliegend MultiLED II right 8 pin with bayonet on flying lead	35-0204-027	35-0204-021
MultiLED II links 7 pol. ASS2 fliegend MultiLED II left 7 pin ASS2 on flying lead	35-0203-037	35-0203-031
MultiLED II rechts 7 pol. ASS2 fliegend MultiLED II right 7 pin ASS2 on flying lead	35-0204-037	35-0204-031
MultiLED II links 7 pol. AMP fliegend MultiLED II left 7 pin AMP on flying lead	35-0203-047	35-0203-041
MultiLED II rechts 7 pol. AMP fliegend MultiLED II right 7 pin AMP on flying lead	35-0204-047	35-0204-041

## MULTILED II

BESCHREIBUNG / DESCRIPTION	OEM	AM
<b>MultiLED II hoch mit Kennzeichenbeleuchtung</b> <b>MultiLED II high including number plate light</b>		
MultiLED II links + KZ 0,5 m Kabel mit offenem Ende MultiLED II left + NPL 0.5 m with open ended cable	35-0203-057	35-0203-051
MultiLED II rechts + KZ 0,5 m Kabel mit offenem Ende MultiLED II right + NPL 0.5 m with open ended cable	35-0204-057	35-0204-051
MultiLED II links + KZ unten 0,5 m Kabel mit offenem Ende MultiLED II left + NPL bottom 0.5 m with open ended cable	35-0203-107	35-0203-101
MultiLED II rechts + KZ unten 0,5 m Kabel mit offenem Ende MultiLED II right + NPL bottom 0.5m with open ended cable	35-0204-107	35-0204-101
MultiLED II links + KZ 5 pol. Bajonett fliegend MultiLED II left + NPL 5 pin with bayonet on flying lead	35-0203-067	35-0203-061
MultiLED II rechts + KZ 5 pol. Bajonett fliegend MultiLED II right + NPL 5 pin with bayonet on flying lead	35-0204-067	35-0204-061
MultiLED II links + KZ unten 5 pol. Bajonett fliegend MultiLED II left + NPL bottom 5 pin with bayonet on flying lead	35-0203-117	35-0203-111
MultiLED II rechts + KZ unten 5 pol. Bajonett fliegend MultiLED II right + NPL bottom 5 pin with bayonet on flying lead	35-0204-117	35-0204-111
MultiLED II links + KZ 8 pol. Bajonett fliegend MultiLED II left + NPL 8 pin with bayonet on flying lead	35-0203-077	35-0203-071
MultiLED II rechts + KZ 8 pol. Bajonett fliegend MultiLED II right + NPL 8 pin with bayonet on flying lead	35-0204-077	35-0204-071
MultiLED II links + KZ unten 8 pol. Bajonett fliegend MultiLED II left + NPL bottom 8 pin with bayonet on flying lead	35-0203-127	35-0203-121
MultiLED II rechts + KZ unten 8 pol. Bajonett fliegend MultiLED II right + NPL bottom 8 pin with bayonet on flying lead	35-0204-127	35-0204-121
MultiLED II links + KZ 7 pol. ASS2 fliegend MultiLED II left + NPL 7 pin ASS2 on flying lead	35-0203-087	35-0203-081
MultiLED II rechts + KZ 7 pol. ASS2 fliegend MultiLED II right + NPL 7 pin ASS2 on flying lead	35-0204-087	35-0204-081
MultiLED II links + KZ unten 7 pol. ASS2 fliegend MultiLED II left + NPL bottom 7 pin ASS2 on flying lead	35-0203-137	35-0203-131
MultiLED II rechts + KZ unten 7 pol. ASS2 fliegend MultiLED II right + NPL bottom 7 pin ASS2 on flying lead	35-0204-137	35-0204-1371
MultiLED II links + KZ 7 pol. AMP fliegend MultiLED II left + NPL 7 pin AMP on flying lead	35-0203-097	35-0203-091
MultiLED II rechts + KZ 7 pol. AMP fliegend MultiLED II right + NPL 7 pin AMP on flying lead	35-0204-097	35-0204-091
MultiLED II links + KZ unten 7 pol. AMP fliegend MultiLED II left + NPL bottom 7 pin AMP on flying lead	35-0203-147	35-0203-141
MultiLED II rechts + KZ unten 7 pol. AMP fliegend MultiLED II right + NPL bottom 7 pin AMP on flying lead	35-0204-147	35-0204-141